

# Base End Shelf Cabinet

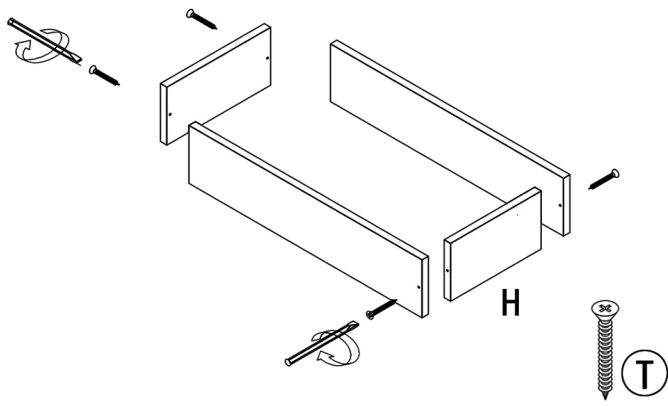
## Item List

NO	NAME	QUANTITY
A	Side Panel	2
D	Back Panel	1
G	Shelf	3
H	Kick Board	1

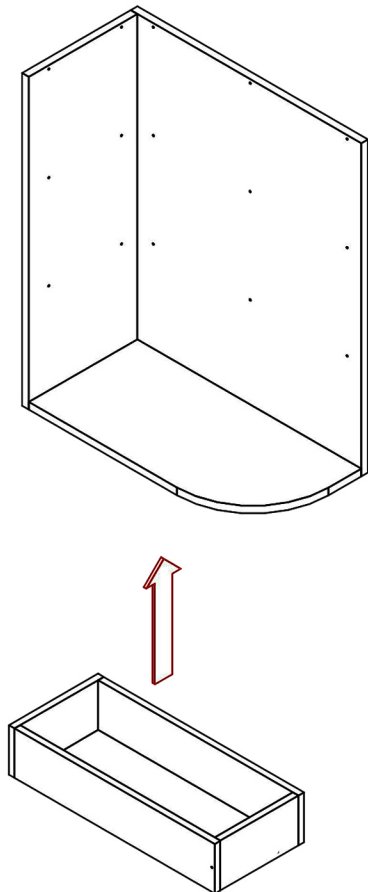
## HARDWARE

Ⓣ	Screw 1-1/8"	28
Ⓤ	Wooden Peg	8

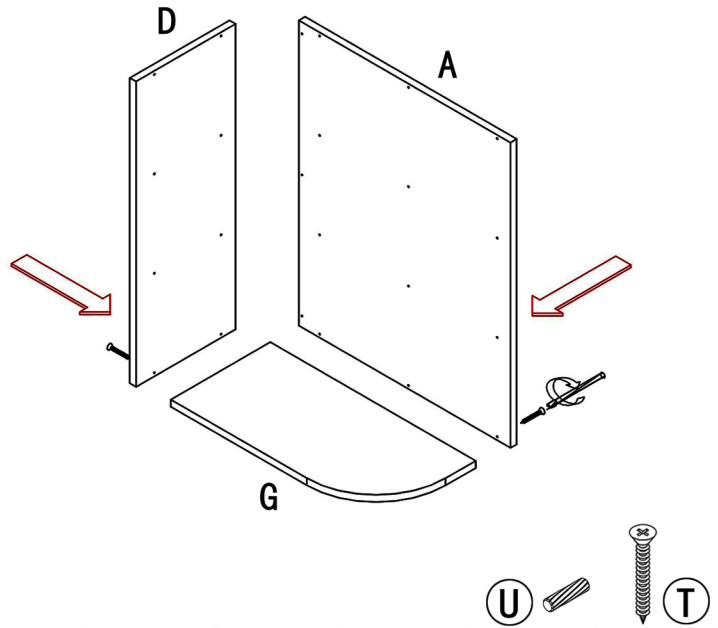
### Step2



### Step3



### Step1



### Step4

