

# Wall End Shelf Cabinet

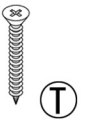
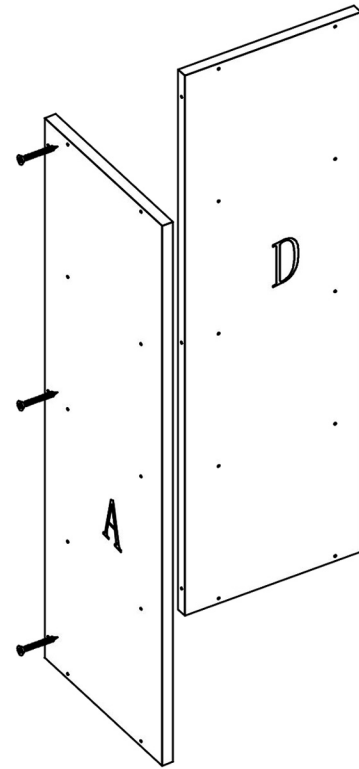
## Item list

NO	NAME	QUANTITY
A	Side Panel	1
C	Top Panel	1
D	Back Panel	1
G	Shelf	4

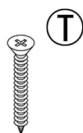
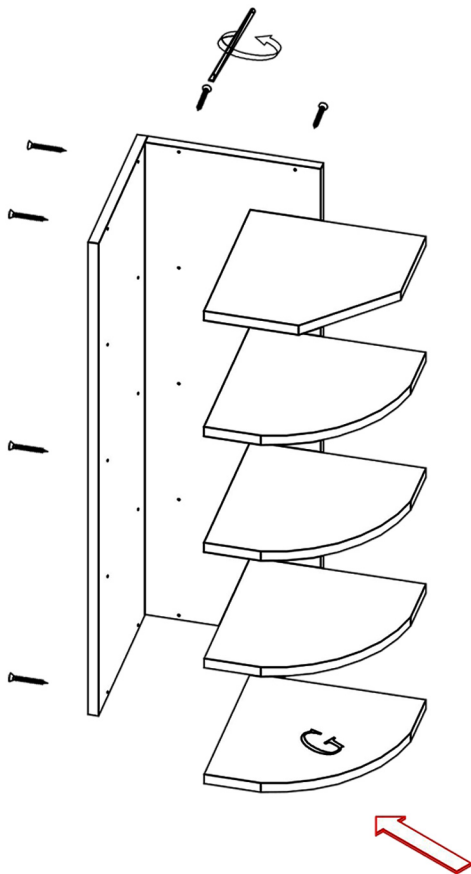
## HARDWARE

Ⓣ	Screw 1-1/8"	24
---	--------------	----

## Step1



## Step2



## Step3

